

Drilling Guide

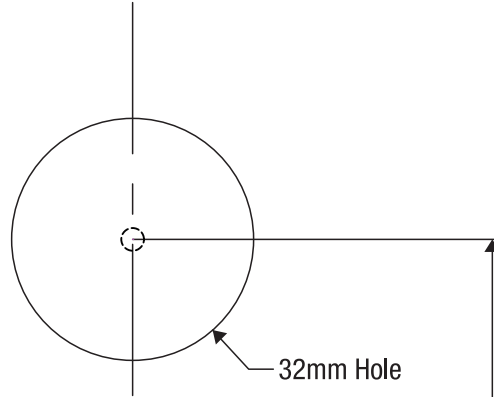
※ Please refer to the installation manual on the back.

Place the folded line to match with door edge.

Folding line

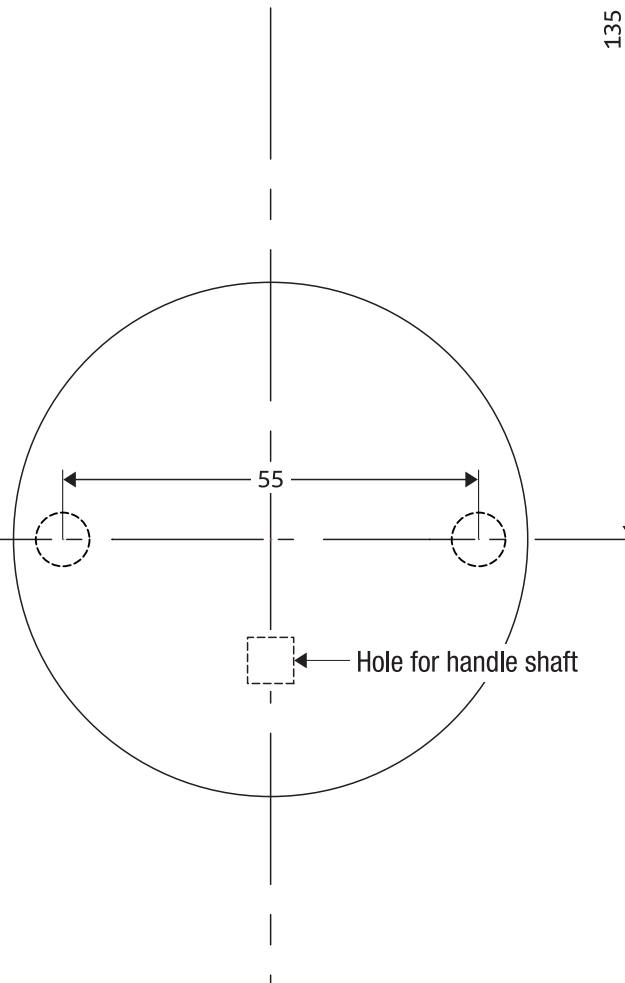
Place the folded line to match with door edge.

Folding line



Drilling Steps

1. Insert Handle-Shaft into Shaft hole of installed Lockset.
2. Press this template to the inside panel of the door matching handle-shaft hole(square).
3. Fold a folding line along the edge of the lock stile and hold it tightly.
4. Mark a drilling center.
5. Drill a hole of 32mm diameter on the marked center.



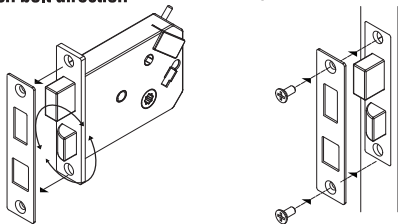
Installation Manual

(For Left handed door)

※ Please refer below to change the latch bolt direction for the right handed door.

How to change the latch bolt direction

※ The latch bolt is set to the right handed at the factory.



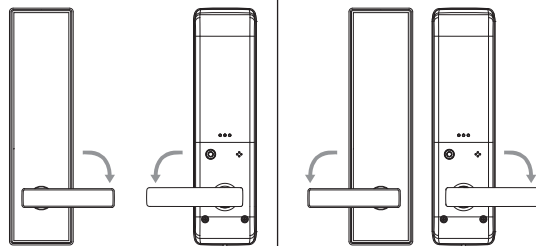
1. After removing the plate, set the latch bolt to fit left/right handed door. (Rotates the latch bolt 180 degree to switch left/right handed)

2. After mounting the mortise on the door, put the plate and tighten the screws.

Door handle direction

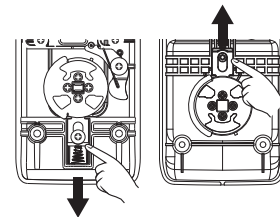
[Right handed door]

[Left handed door]

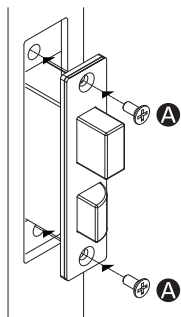


How to change the direction of door handle

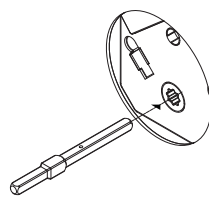
⚠ Pull up or down Handle Stopper depending on your model as shown below. When the handle goes to 12 o'clock direction, you can (re)set handle direction.



1 Installing mortise



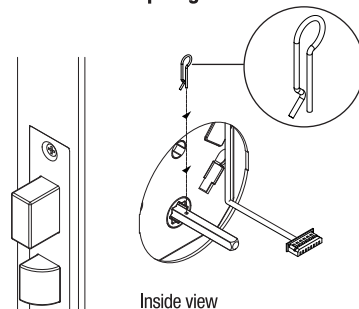
2 Installing handle shaft



Outside view

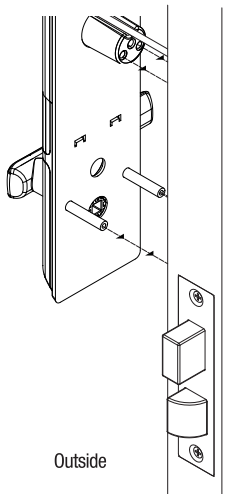


3 Insert handle shaft stop ring

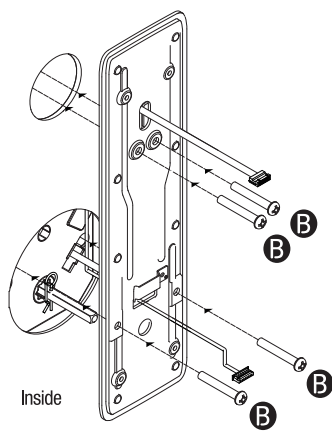


Inside view

4 Outside body assembly

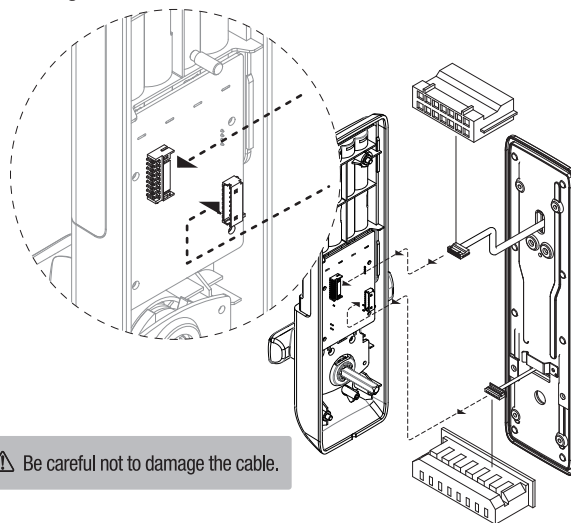


Outside



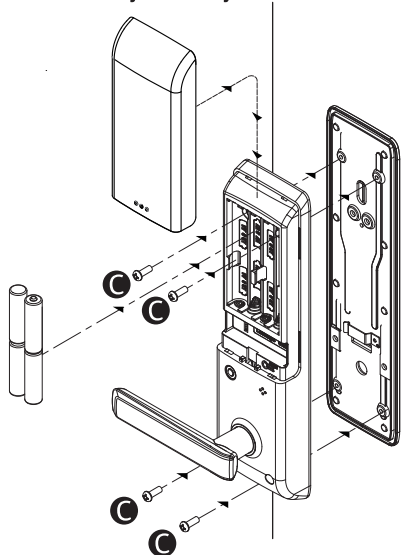
Inside

5 Connecting the cable

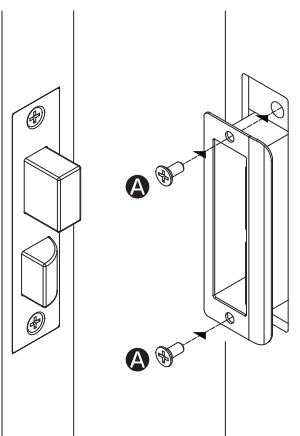


⚠ Be careful not to damage the cable.

6 Inside body assembly



7 Installing strike plate

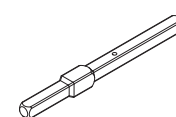


Accessory

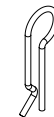
A (FH 2/16X1/2)- 4pcs

B (PH M5X24)- 4pcs

C (PH M4X8)- 4pcs



Handle shaft



Handle shaft stop ring